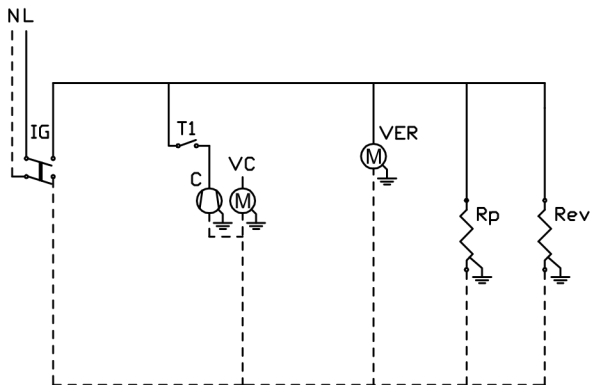


ELECTRICAL SCHEMATIC

Model: VIS



- IG: General switch
- T1: 1 Relay Thermostat
- C: Compressor
- VC: Condenser fan
- VER: Evaporator fan
- Rp: Trim resistance
- Rev: Automatic defrost resistance